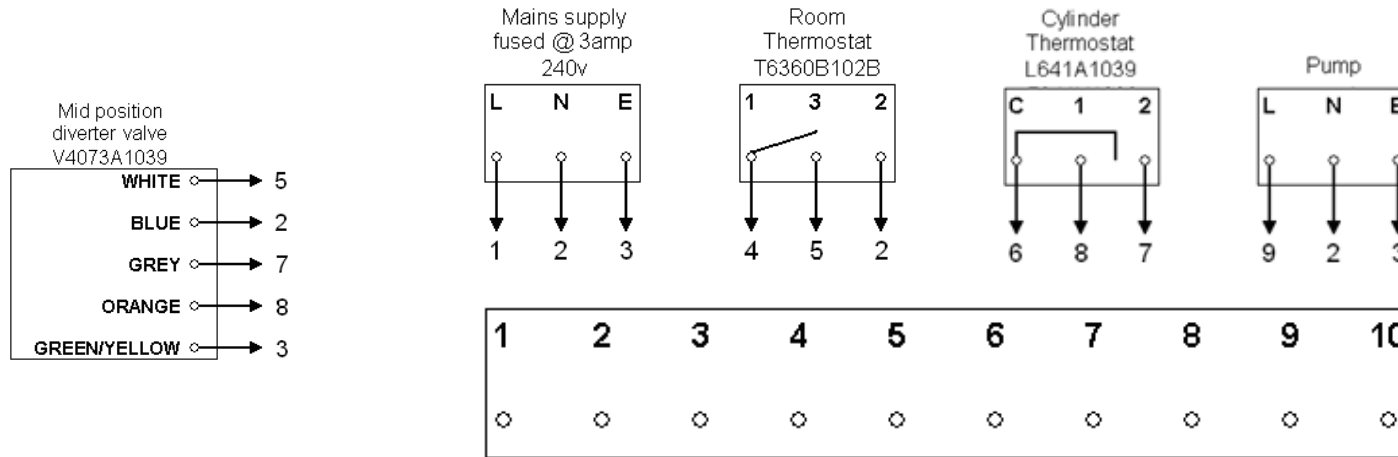
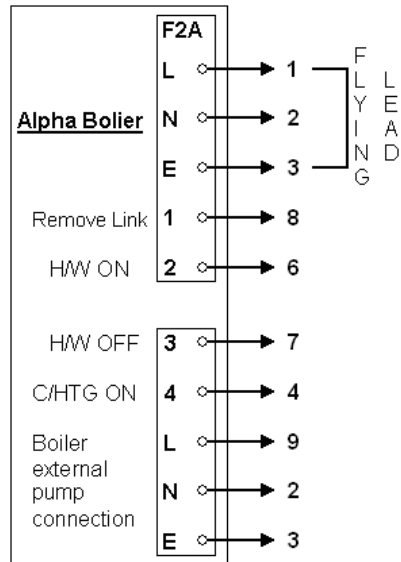


*** A System with automatic by-pass valve is required ***

**Wiring diagram for use with an Alpha CD13R, CD18R & CD24R with a plug
In Alpha 7-day digital 2 channel heating clock + Honeywell Y plan.**



NOTE: Pump live must always be connected to the pump live terminal provided in the boiler control panel, e.g via junction box terminal 9



NOTE: To connect external control, remove link from terminals 1 and 2 and connect a 230/240v switched live to terminal 1

NOTE: If you would like the option of the 2 channel Alpha Comfort Programmable roomstat. Please place a link between 4 & 5 on the wiring centre and omit the room thermostat.

5	WHITE	
4	GREY	Alpha 7-Day Digital 2 Channel Heating Clock
3	BLACK	
2	BLUE	
1	BROWN	

Connect clock terminals spade connectors to wires provided inside control panel i.e.:

- 1= Brown to clock terminal 1.
- 2= Blue to clock terminal 2.
- 3= Black to clock terminal 3.
- 4= Grey to clock terminal 4.
- 5= White to clock terminal 5.

