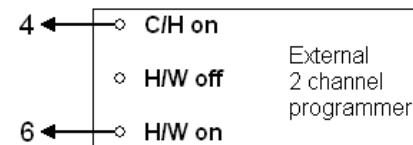
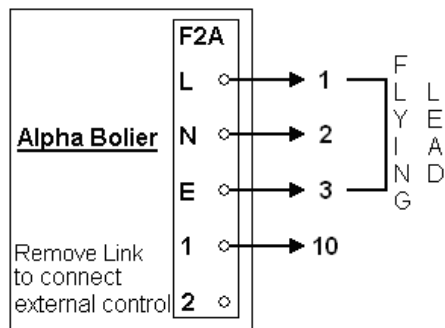
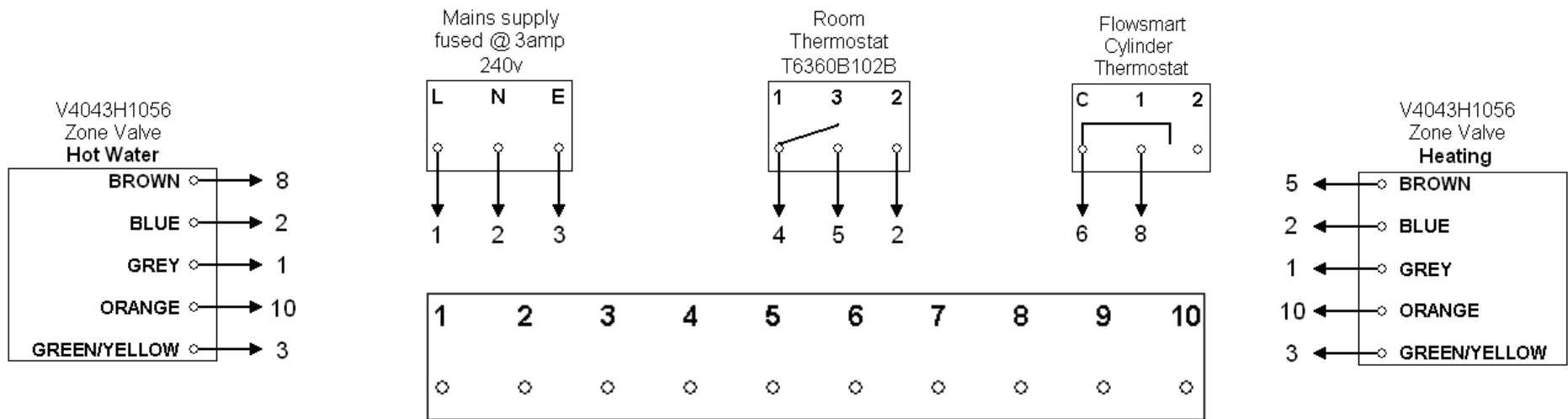


Wiring diagram for use with an Alpha InTec 34C and an Alpha FlowSmart with an external 2 channel heating clock + Honeywell S plan.



NOTE: The InTec 34C has an integral pump with built in pump over run. The boiler also incorporates an automatic by-pass, therefore an automatic by-pass is not required for the system

NOTE: To connect external control, remove link from terminals 1 and 2 and connect a 230/240v switched live to terminal 1