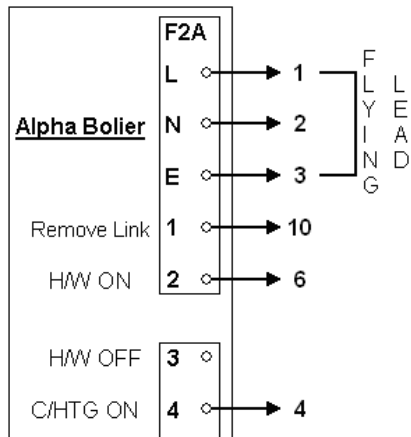
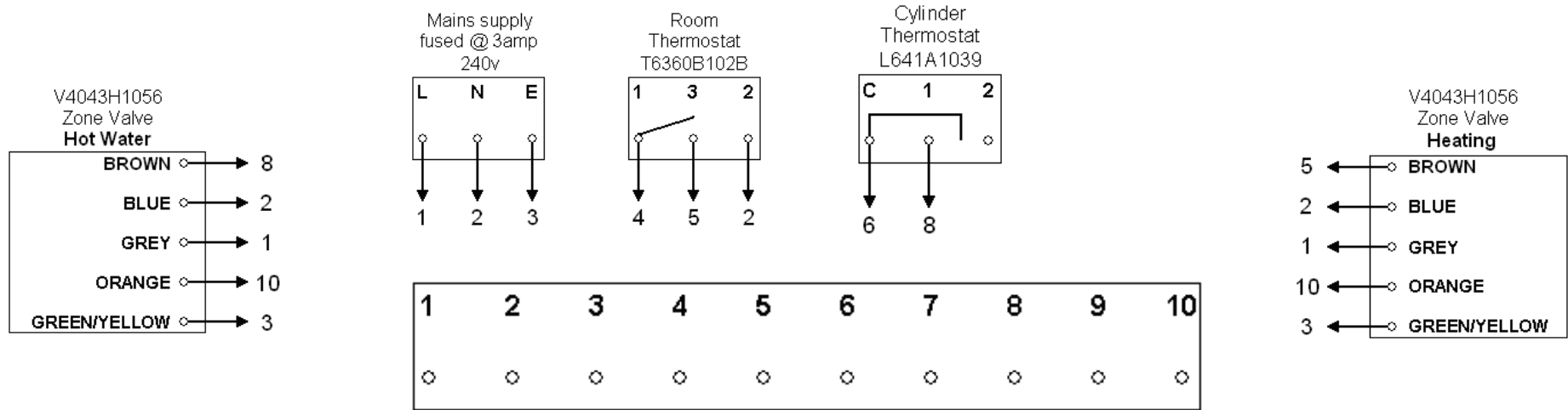


A system automatic bypass valve is required

Wiring diagram for use with an Alpha InTec 12S, 18S & 28S with a plug in Alpha 7-day digital 2 channel heating clock + Honeywell S plan.



NOTE: To connect external control, remove link from terminals 1 and 2 and connect a 230/240v switched live to terminal 1

NOTE: If you would like the option of the 2 channel Alpha Comfort Programmable roomstat. Please place a link between 4 & 5 on the wiring centre and omit the room thermostat.

5 \diamond WHITE
 4 \diamond GREY
 3 \diamond BLACK
 2 \diamond BLUE
 1 \diamond BROWN

Alpha 7-Day Digital 2 Channel Heating Clock

Connect clock terminals spade connectors to wires provided inside control panel i.e.:

1= Brown to clock terminal 1.
 2= Blue to clock terminal 2.
 3= Black to clock terminal 3.
 4= Grey to clock terminal 4.
 5= White to clock terminal 5.

