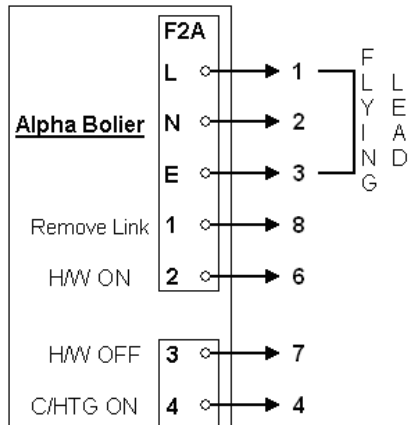
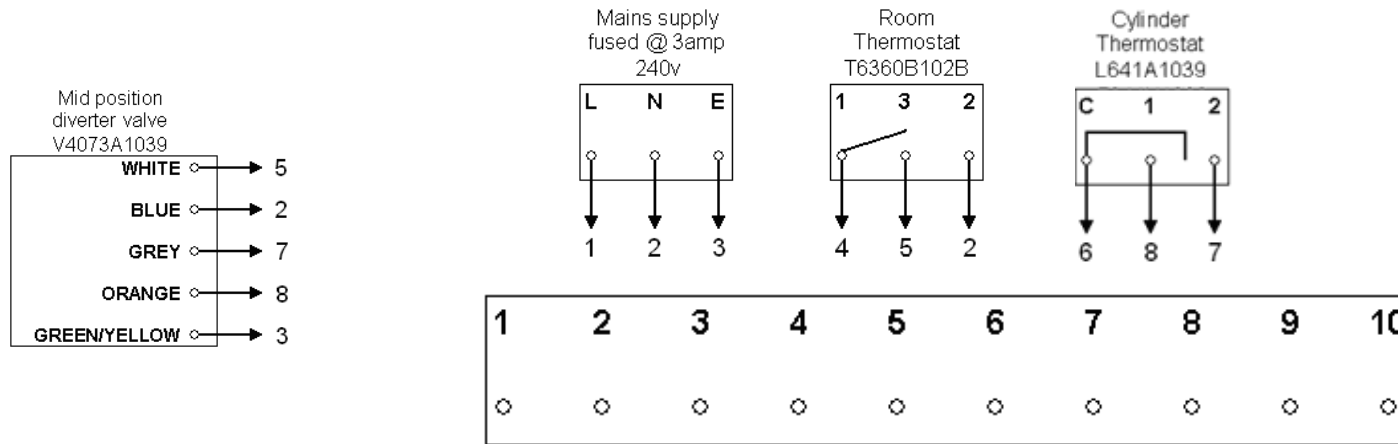


*** A System with automatic by-pass valve is required ***

**Wiring diagram for use with an Alpha InTec 12S, 18S & 28S with a plug
In Alpha 7-day digital 2 channel heating clock + Honeywell Y plan.**



NOTE: To connect external control, remove link from terminals 1 and 2 and connect a 230/240v switched live to terminal 1

NOTE: If you would like the option of the 2 channel Alpha Comfort Programmable roomstat. Please place a link between 4 & 5 on the wiring centre and omit the room thermostat.

- 5 ∅ WHITE
 - 4 ∅ GREY Alpha 7-Day Digital 2 Channel Heating Clock
 - 3 ∅ BLACK
 - 2 ∅ BLUE
 - 1 ∅ BROWN
- Connect clock terminals spade connectors to wires provided inside control panel i.e.:
- 1= Brown to clock terminal 1.
 - 2= Blue to clock terminal 2.
 - 3= Black to clock terminal 3.
 - 4= Grey to clock terminal 4.
 - 5= White to clock terminal 5.

