

Installation Instructions

Alpha SolarSmart Remote Display Unit (Kit Part No. 6.4001100)



1. GENERAL

The Alpha SolarSmart Remote Display Unit allows the information and control available on the main Solar control panel to be in a place that is visible and accessible to the User. This is particularly useful if the Solar system is in the loft or garage. Two core cable is required to connect the display unit to the Solar control box. This should be kept to a maximum of 50 m using a cable specification of 2 x 5 Ohm.

It is also recommended to keep this cable separate from any other electrical cable or appliance to prevent interference. If the cable is run alongside other supply cables or electrical appliances screened cable can be used.

Note: The Alpha SolarSmart remote display is only compatible with new versions of the SolarSmart system. This can be checked by looking at the PCB version label on the control PCB. Only version 28 onwards is compatible.

2. INSTALLATION

Turn off the Solar system and isolate from the supply.

1. Pull off the remote display cover as shown in Fig. 1.
2. Remove the display unit by withdrawing the top slightly then lifting it out as shown in Fig. 2.

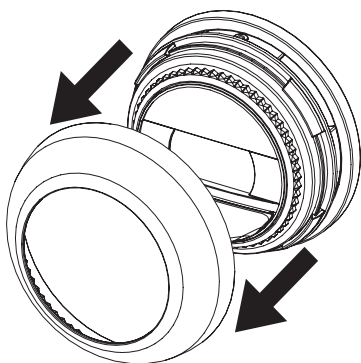


Fig. 1

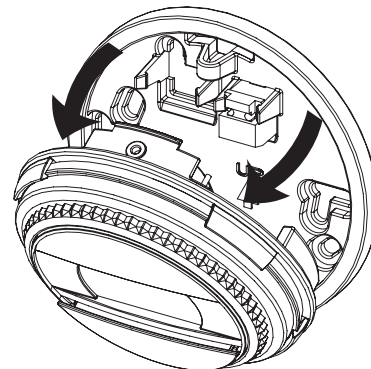


Fig. 2

4. Mount the remote display unit back panel in a suitable position for visibility and access as shown in Fig. 3.
5. Connect the two core cable between the display unit and the Solar control panel, connecting terminals A and B in the display unit to 4 and 5 of the Solar control PCB as shown in Figs. 4 and 5.

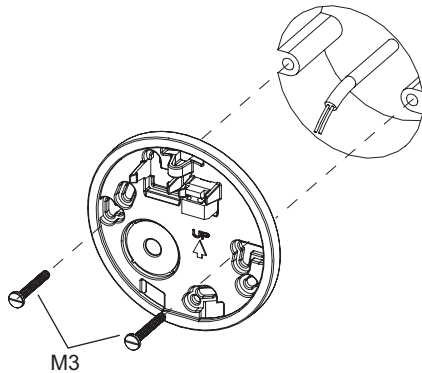


Fig. 3

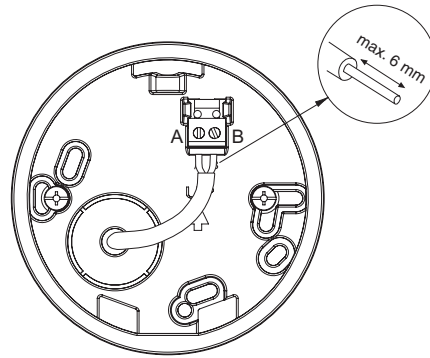


Fig. 4

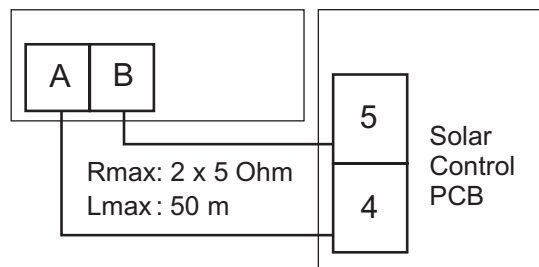


Fig. 5

6. Locate the tag on the bottom of the display unit into the back panel and push back into position as shown in Fig. 6.
7. Replace the display cover as shown in Fig. 7.
8. Re-connect the mains supply and turn the system back on.

The same information will now be displayed on the remote display unit as shown on the main control box display and the semi circular push button can be used to control and scroll through the system information as detailed in the SolarSmart installation instructions.

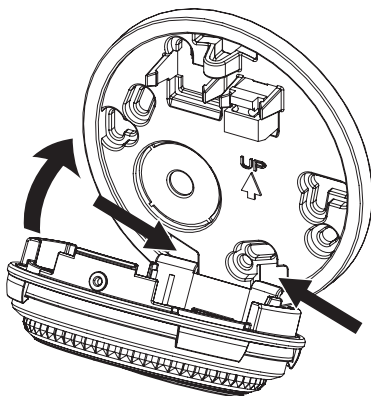


Fig. 6

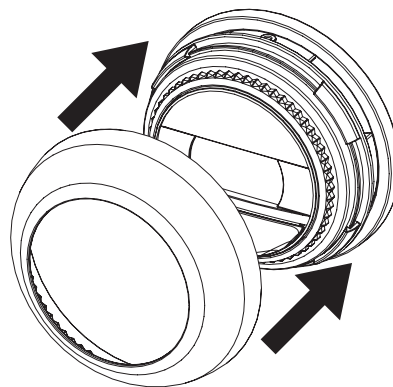


Fig. 7

Alpha

HEATING INNOVATION

Alpha Therm Limited.
Nepicar House, London Road, Wrotham Heath,
Sevenoaks, Kent TN15 7RS
Tel: 0844 8718764

email: info@alpha-innovation.co.uk
website: www.alpha-innovation.co.uk

*These instructions have been carefully prepared but we reserve the right to alter the specification at any time in the interest of product improvement.
© Alpha Therm Limited 2010.*