

External Weather Compensation probe installation instructions for Alpha InTec range of boilers

Part Number 3.022383

Note; if used with an S boiler with a hot water cylinder an Alpha diverter Valve kit must be used. Part number 3.022382

The external weather compensation probe controls the maximum primary flow temperature to the heating circuit according to the outside temperature.

Operation

During a central heating on period the probe monitors the external temperature and modulates the boiler heating output to give the correct flow temperature to maintain the required room temperature. If the external temperature drops then the flow temperature will increase and if the external temperature increases then the flow temperature will decrease. This reduces the amount of wasted energy and reduces gas consumption.

NOTE.

When a weather probe is fitted it will vary the radiators temperature and on mild day the radiators will not feel as hot as on a cold day, this is normal and not a fault with the boiler or heating circuit. The room temperature will still be maintained as set by the room thermostat.

When an external weather probe is fitted the CH temperature control dial will no longer adjust the flow temperature in °C, instead the display will show a scale of 1 to 9. Each number corresponds to a line on the graph in fig 1 e.g. line 6 will give a flow temperature of 60°C when the external temperature is 10°C.

The flow temperatures shown in the brackets represent the temperature if the boiler is set for a low temperature circuit such as under floor heating.

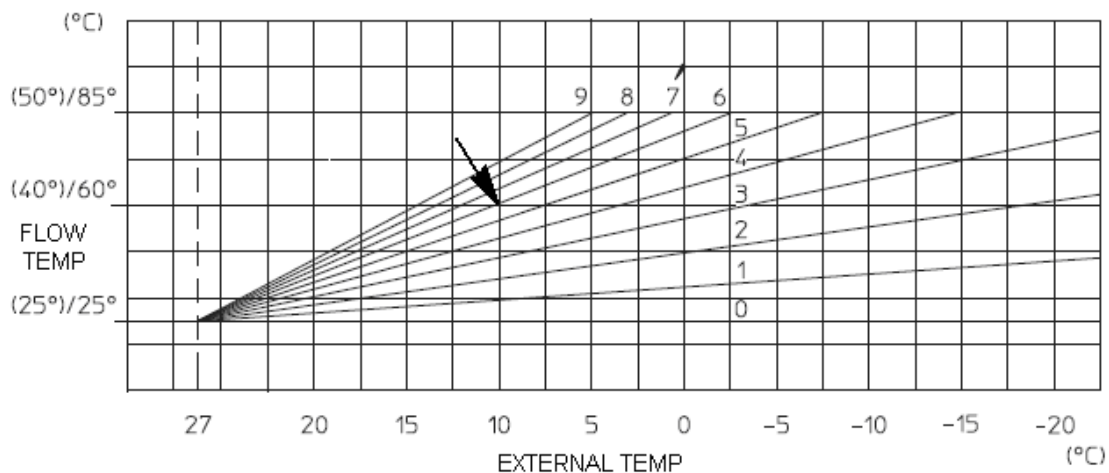


Fig1

Installing the probe

The external probe must be installed on a North or North West facing wall (if possible) at a height of at least 3 meters from the ground. It must be in a position where it is not exposed to direct sunlight, warm air currents and can not be tampered with.

The probe can be installed horizontally or vertically to a wall or under the eaves of a roof.

Electrical connections

The maximum length of cable between the boiler and the probe is 50 meters.

When fitted horizontally use sheathed cable between 0.5mm and 1.5mm with a sheathing diameter between 5mm and 7mm.

When fitted vertically i.e. the cable directly through the wall into the back of the probe housing then unsheathed cable is acceptable.

Install the housing as shown in figures 2 or 3 feeding the cable trough the grommet and connect to the connector block using an electrical screw driver. Take the cable tie supplied, pass it through one of the holes in the circuit board, around the cable and back through the other hole in the circuit board, tighten and slide the circuit board into its housing. Fit the housing to the wall, fit the probe cover and secure it with the locking screw.

VERTICAL ASSEMBLY

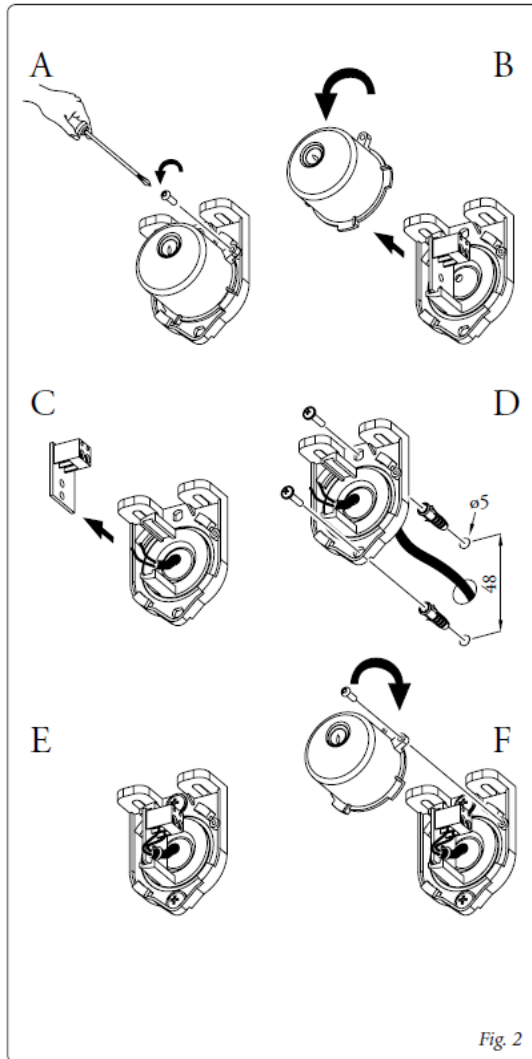


Fig. 2

HORIZONTAL ASSEMBLY

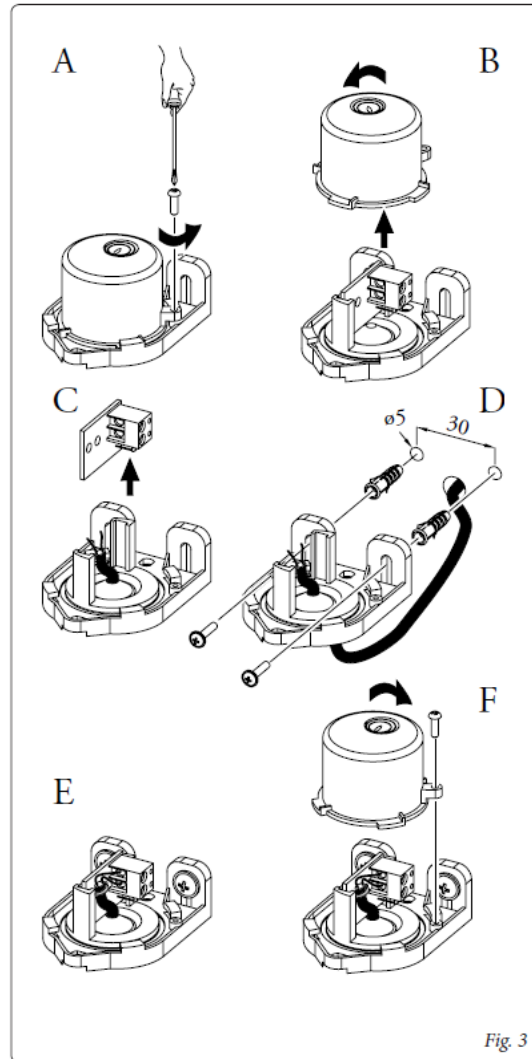


Fig. 3

Connecting to the boiler

Gain access to the boiler connection block as described in the boiler manual. Pass the cable through the cable grommet in the terminal cover and connect it to terminals 10 and 11 on the connector block marked external probe. See fig 4. Re-assemble in reverse order. Note; the external probe is volt free and not polarity sensitive i.e. can be connected either way round. Set the CH dial between 1 and 9 to give the required heating gradient.

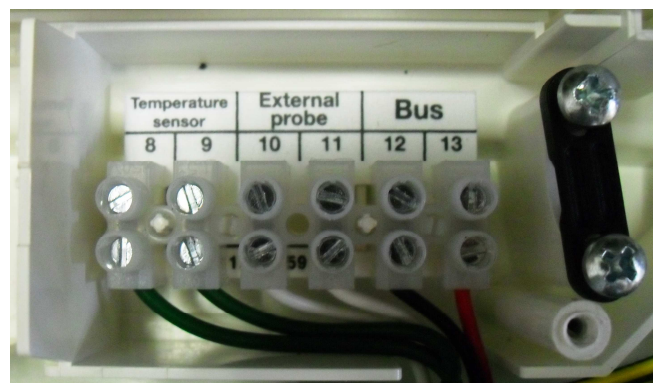


Fig 4.

Doc No 1.032405 Rev 15.035362/000